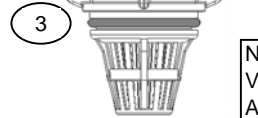
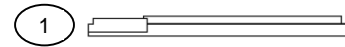
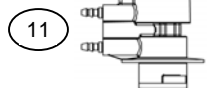
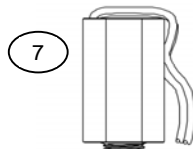
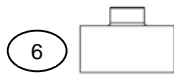
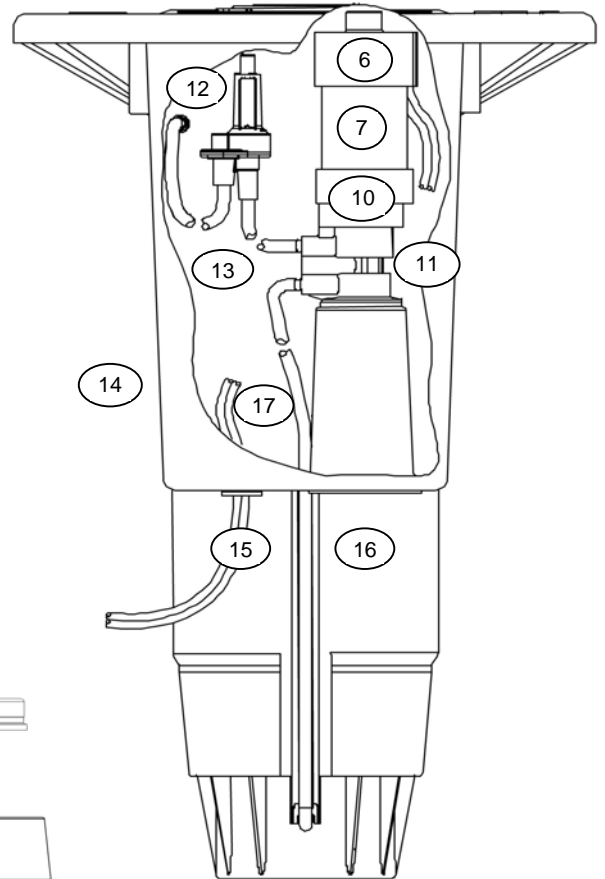


# G-900 Series Body Assembly: Electric Valve-In-Head

Item	Description	Part No.
1	Snap Ring - Lower (White)	426100
2	Inlet Valve Assembly - Electric VIH (White Screen)	643200
3	O-Ring - Inlet Valve To Body Seal	643500
4	Screw - Flange Lid Retainer	351800
5	Lid - Flange Compartment - Electric Recessed Yardage Marker Area	493600
	Lid - Flange Compartment - Electric Raised Yardage Marker Area	493610
6	Selector Cap & Detent Ring Kit	461536
7	Solenoid Kit (Includes Items 6, 7, 8, 9 & 10)	461537
8	O-Ring - Solenoid Thread Seal	262600
9	Seal - Solenoid Plunger Seal	364400
10	Selector Cap & Detent Ring Kit	461536
11	Pilot Valve Kit - Electric VIH	461540
12	Pressure Regulator Kit - Adjustable (80, 100 & 120 psi)	674800
13	Control Tubing Kit - incl: 24" of 1/8" tubing, connector & retainers (2)	461539
14	Body Assembly, Electric VIH - incl: tubing to pilot valve & tubing to regulator plus items 14,15 & 16. (does not include pilot valve or pressure regulator)	674600
15	Cap, Protective - solenoid wires	643900
16	Cap, Protective - lower compartment	474400
17	Restraint -Solenoid Wires(not shown)	669300



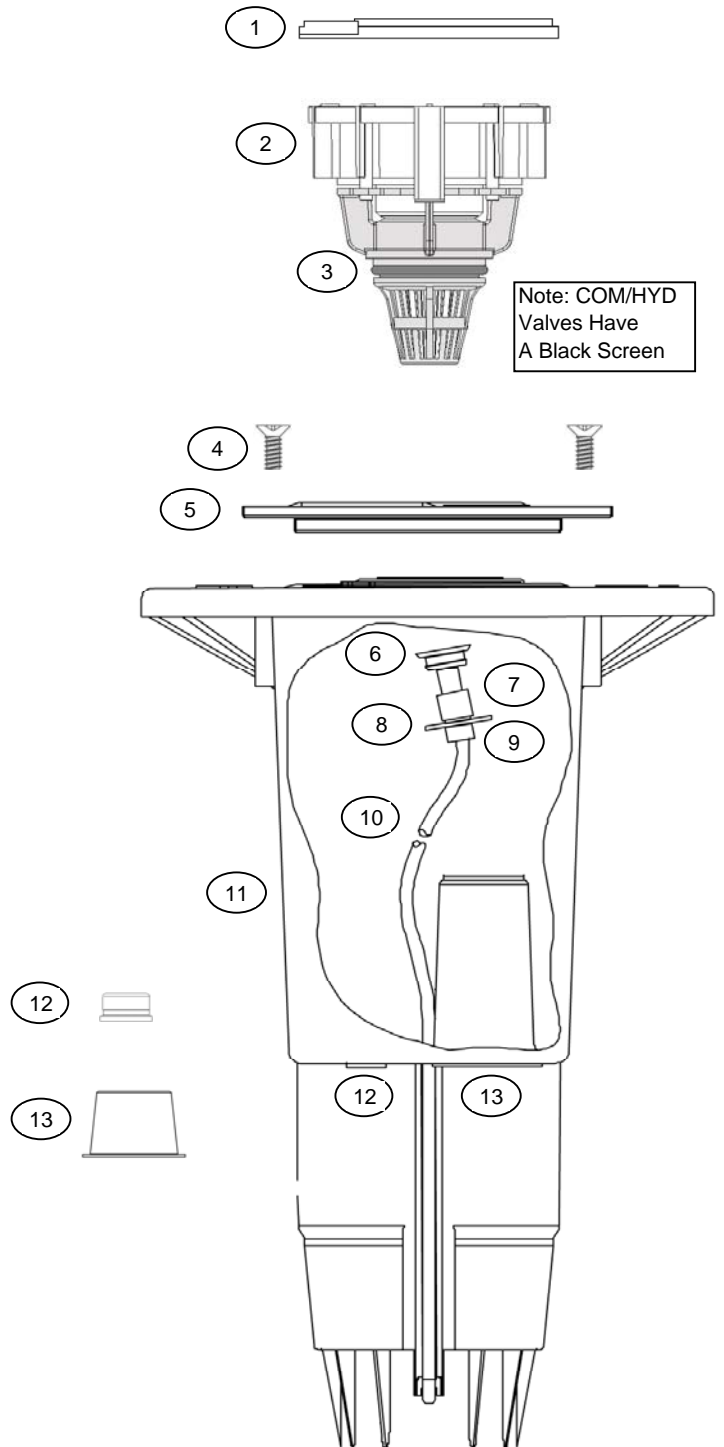
Note: Electric Valves Have A White Screen



**Hunter**<sup>®</sup>  
G O L F

# G-900 Series Body Assembly: Check-O-Matic & Hydraulic

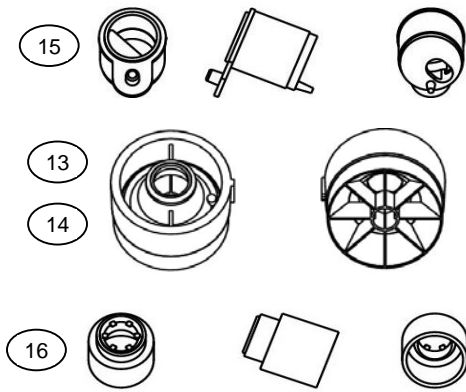
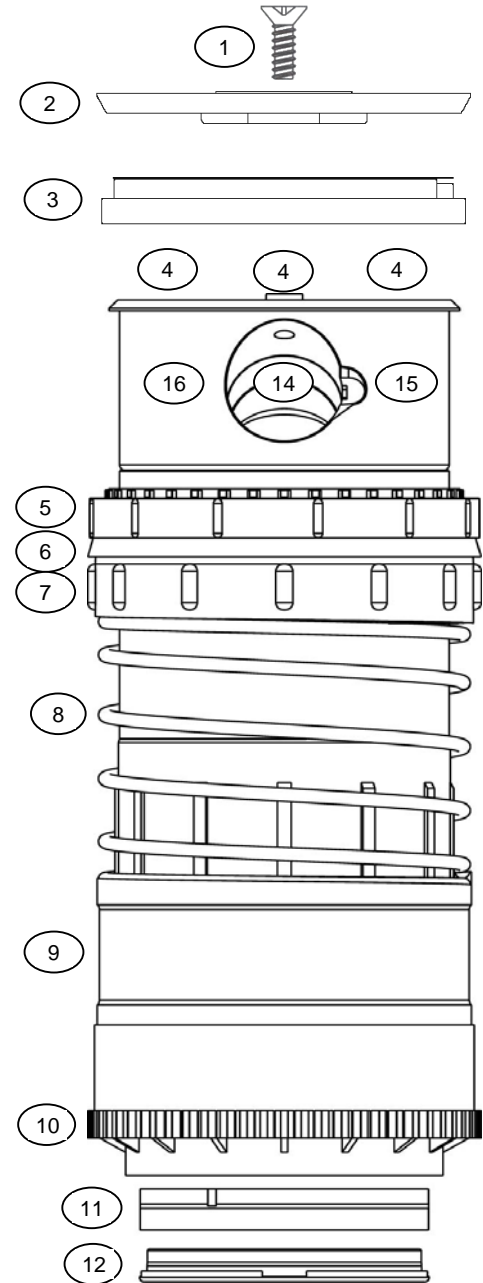
Item	Description	Part No.
1	Snap Ring - Lower (White)	426100
2	Inlet Valve Assembly - C.O.M. & N.O. Hydraulic (Black Screen)	672500
3	O-Ring - Inlet Valve To Body Seal	643500
4	Screw - Flange Lid Retainer	351800
5	Lid - Flange Compartment - C.O.M. Recessed Yardage Marker Area	493605
	Lid - Flange Compartment - C.O.M. Raised Yardage Marker Area	493615
6	Vent Cap - Valve Air Bleed	456600
7	Tube Retainer - 1/4" Tubing	261000
8	Connector - 1/4"x1/8" Tubing (not shown)	402100
9	Tube Retainer - 1/8" Tubing	476000
10	Control Tubing Kit - incl: 24" of 1/8" tubing, connector & retainers (2)	461539
11	Body Assembly, C.O.M. & N.O. Hydraulic - incl: items 6 thru 13	674700
12	Cap, Protective - solenoid wire hole	643900
13	Cap, Protective - lower compartment	474400



**Hunter**<sup>®</sup>  
G O L F

# G-90 Riser Assembly: Full-Circle Configuration

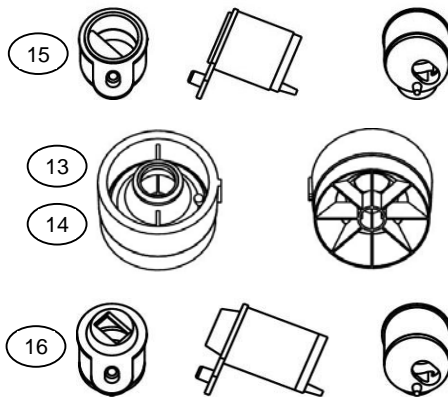
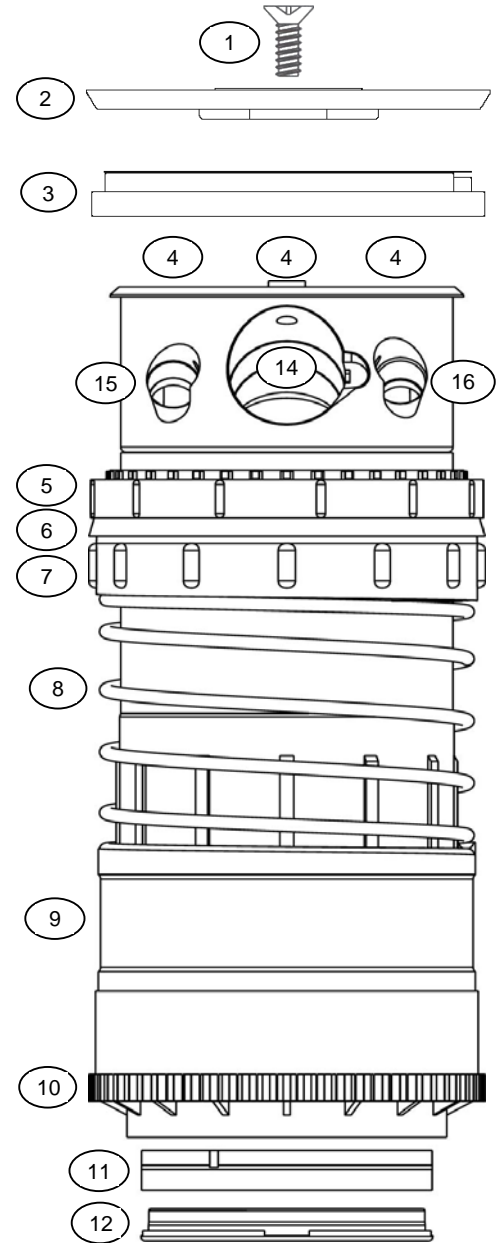
Item	Description	Part No.
1	Screw - Logo Cap Retainer	351800
2	Rubber Logo Cap - G990 (Black)	664000
	Rubber Logo Cap - G990 (Purple) applications: reclaimed water sites	664005
3	Snap Ring Assy. - (Black)	430700
4	Screw - Nozzle Retainer	314300
5	Support - Riser Seal Upper	406200
6	Seal - Riser	406100
7	Support - Riser Seal Lower	406300
8	Spring - Riser Retraction	428600
9	Bumper - Riser	405800
10	Riser Assembly - incl: items 3 - 13, 15 & 16	463002
11	Plate - Stator Adjustment	283300
12	Screen - Riser Inlet	286800
13	Nozzle Pack - Primary Nozzles	461204
14	Primary Nozzles - Bag Of 25	
	#33 - Gray	464363
	#38 - Red	464364
	#43 - Dark Brown	464365
	#48 - Dark Green	464366
	#53 - Dark Blue	464367
	#63 - Black	464368
15	Nozzle - Short-Range (Left, Black)	439100
16	Nozzle - Mid-Range (Right, Blue)	455400



**Hunter**  
G O L F

# G-95 Riser Assembly: Adjustable-Arc Configuration

Item	Description	Part No.
1	Screw - Logo Cap Retainer	351800
2	Rubber Logo Cap - G995 (Black)	664100
	Rubber Logo Cap - G995 (Purple) applications: reclaimed water sites	664105
3	Snap Ring Assy. - (Black)	430700
4	Screw - Nozzle Retainer	314300
5	Support - Riser Seal Upper	406200
6	Seal - Riser	406100
7	Support - Riser Seal Lower	406300
8	Spring - Riser Retraction	428600
9	Bumper - Riser	405800
10	Riser Assembly - incl: items 3 - 13, 15 & 16	463004
11	Plate - Stator Adjustment	283300
12	Screen - Riser Inlet	286800
13	Nozzle Pack - Primary Nozzles	461204
14	Primary Nozzles - Bag Of 25	
	#33 - Gray	464363
	#38 - Red	464364
	#43 - Dark Brown	464365
	#48 - Dark Green	464366
	#53 - Dark Blue	464367
	#63 - Black	464368
15	Nozzle - Short-Range (Left, Black)	439100
16	Nozzle - Mid-Range (Right, Green)	439000



**Hunter**<sup>®</sup>  
G O L F